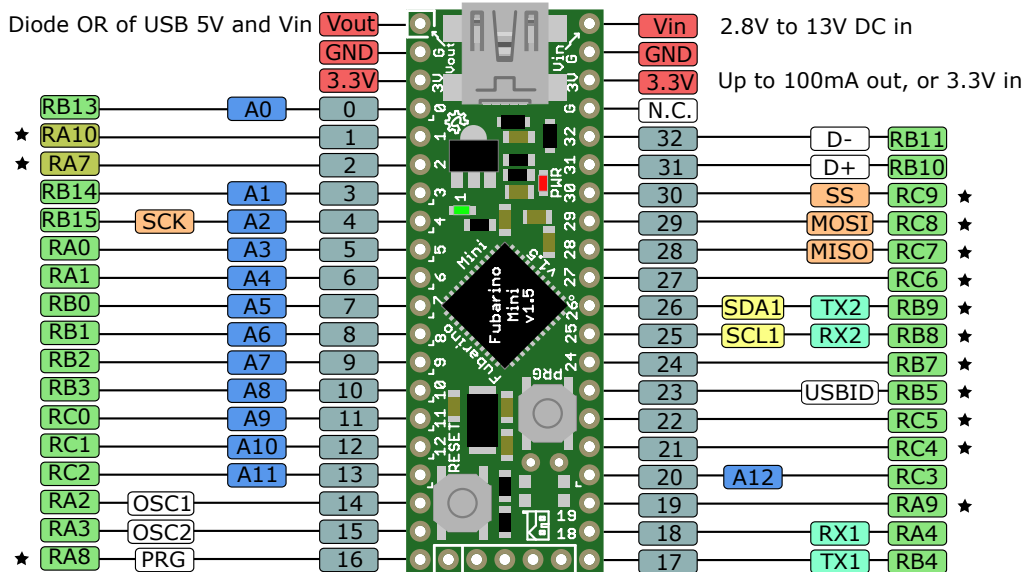


Fubarino Mini v1.5 pins

mini B USB



- Press and hold PRG while pressing and releasing RESET to enter bootloader mode over USB.
 - Green LED : Pin 1
 - Red LED is on 3.3V power
 - PRG button : Pin 16
 - USB : Serial
 - TX1/RX1 : Serial0
 - TX2/RX2 : Serial1
 - PPS = Peripheral Pin Select
This includes SPI/UART/INT/OC/PWM/etc.
Note that each peripheral can not be mapped to any PPS pin, but only 8 of the possible 31.
 - Power input through USB, Vin, or 3.3V pins
- ★ 5V Tolerant
 - Power/Ground
 - Arduino Digital Pin
 - Analog input
 - PIC32 Pin with PPS
 - Serial (SPI)
 - Serial (I2C)
 - Serial (UART)
 - PIC32 Pin no PPS
 - Default configuration uses these pins (for USB, crystal, PRG button, etc.) and they are not available for general purpose GPIO unless the configuration is changed.

ICSP Connection

