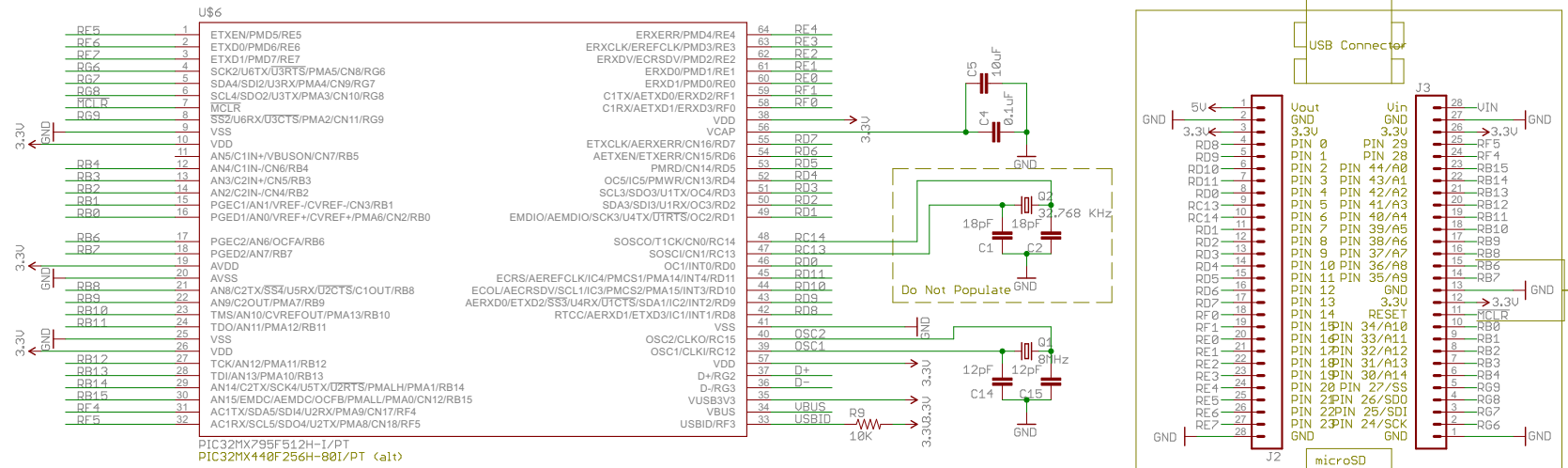


Fubarino SD

www.fubarino.com/SD
A chipKIT compatible board

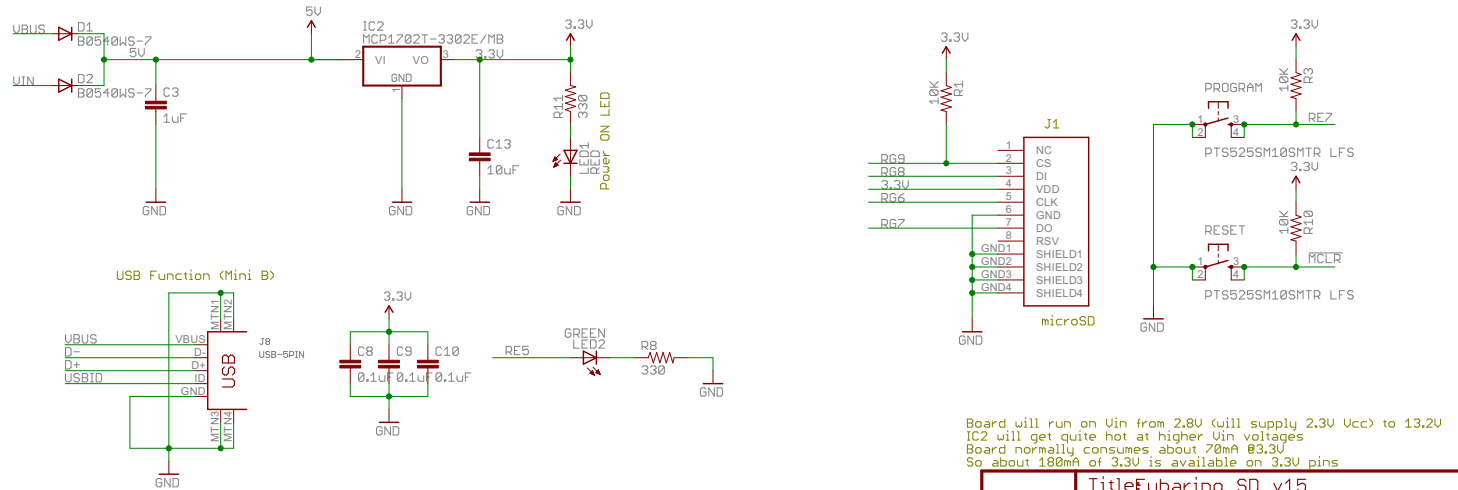
Designed by : Brian Schmalz (Schmalz Haus LLC) and Rick Anderson (FUBARLabs)

ICSP
program/debug
with PICKit3, ICD3, RealIce
← Pin 1 = MCLR



If you like the Fubarino SD, please consider that SchmalzHaus can design a customized version for your specific needs. Contact brian@schmalzhaus.com for more information.

- 03/06/2012 - v1.0
- First prototype version
- 03/09/2012 - v1.1
- Fixed swapped PGC/PGD
- Fixed missing USB connection
- Corrected pin numbering - start at 0
- RESET no longer a digital I/O pin
- Used 500mA polyfuse
- Changed voltage regulator
- Changed C5 footprint
- Changed to a smaller 8MHz crystal
- 04/04/2012 - v1.2
- GREEN LED goes to ground now not 3.3V
- Removed polyfuse
- Fixed silk on green LED to say 21
- All pin name silk reads the same way
- Took 32kHz crystal and caps off BOM
- 6/8/2012 - v1.3
- Added power input diodes
- 7/16/2012 - v1.4
- Changed C13 from 4uF to 10uF
- 2/26/2013 - v1.5 (Microchip version)
- Added chipKIT, CE, RoSH to silk
- Added RX (pin 8) and TX (pin 9) to silk
- Chaned USB connector to Hirose
- 3/10/2014 - v1.5 (Microchip version)
- Updated CPU to MX795 symbol



Board will run on Vin from 2.8V (will supply 2.3V Vcc) to 13.2V
IC2 will get quite hot at higher Vin voltages
Board normally consumes about 70mA @3.3V
So about 180mA of 3.3V is available on 3.3V pins

Copyright 2012 Brian Schmalz Copyright and related rights are licensed under the Solderpad Hardware License, Version 0.51 (the "License"); you may not use this file except in compliance with the License. You may obtain a copy of the License at <http://solderpad.org/licenses/SHL-0.51>. Unless required by applicable law or agreed to in writing, software, hardware and materials distributed under this License is distributed on an "AS IS" BASIS, WITHOUT WARRANTIES OR CONDITIONS OF ANY KIND, either express or implied. See the License for the specific language governing permissions and limitations under the License.

Title	Fubarino_SD_v15
Version:	
Created:	3/10/2014 8:30:09 PM
Drawn By:	1/1